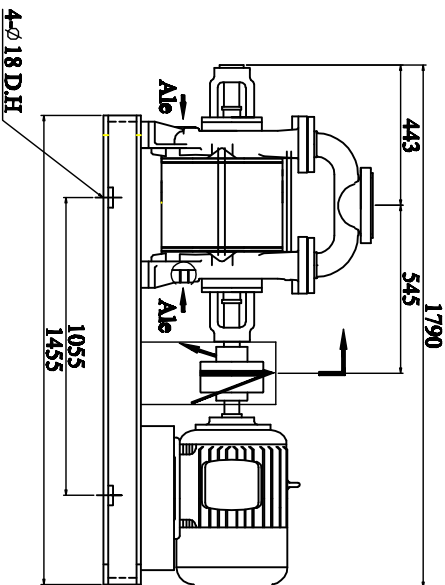
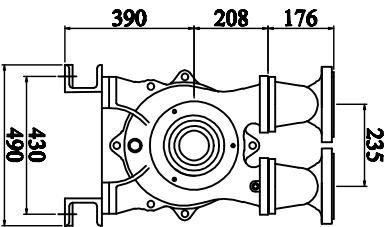
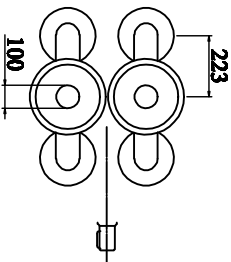


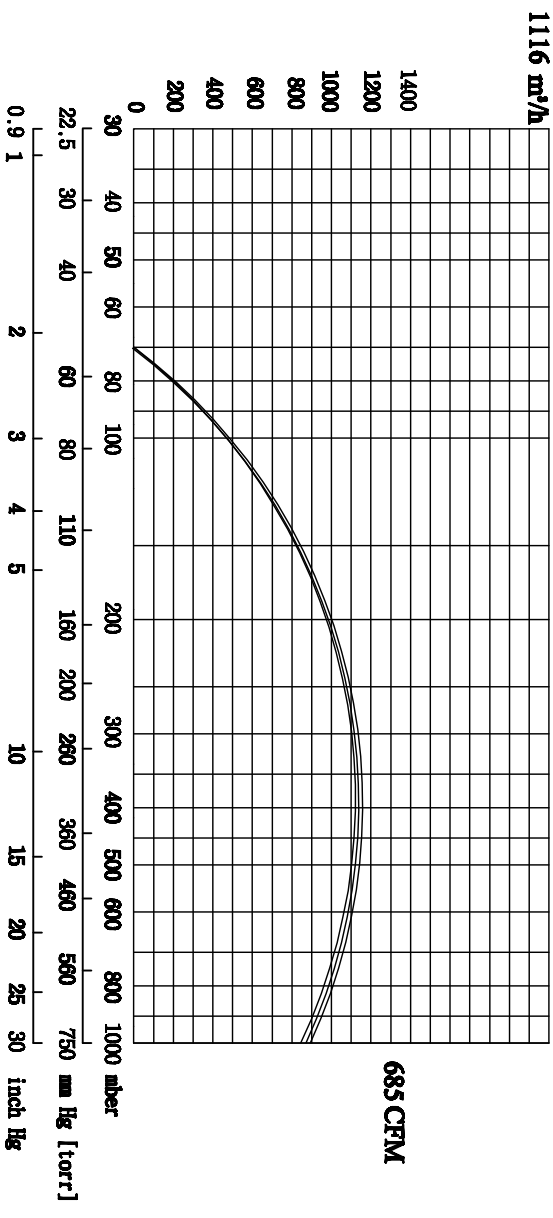
SPECIFICATIONS

Design	15520 Lit./min(50Hz)
Displacement	19000 Lit./min(60Hz)
Speed	1400 r.p.m. (50Hz) 1750 r.p.m. (60Hz)
Normal usage	Under Torr
vacuum pressure	
Attainable	Max 50Torr
vacuum pressure	JIS 100A (2) (Option:B.S.P.T)
Suction port diameter	Horizontal Motor Standard
Motor	3-Phase 220/380V 60Hz 37kW 4P
Water Capacity	15°C 기준 60L/MIN
Weight	Kg
Painting	Color- VL951 (Company's standard)
Allowable ambient temp.	-10~40°C

-1 Excluding motor and some other parts.



Curve referred to dry air at 20°C (68°F) 배 기 량 SUCTION CAPACITY
 배기수 온도 15°C 기준



- ACCESSORIES(OPTION)**
- Vacuum Manual Valve
 - Vacuum gauge
 - Vacuum Check Valve
 - Separator Tank

CONSUMABLE LIST
(VACUUM RING GENUINE PARTS)

Designation	Specification	Quantity/set
M/C Seal	φ 60	2
Bearing	6310 ZZ (Special Heat - resisting grease)	2
Half Coupling	φ 150	1
Shaft key	φ 42 10X8	1

- 품질 개선을 위해서 예고없이 변경 될수 있음.
- Not binding dimension that can be changed to motor make

DWG DATE	SCALE	N/S	TITLE	WATER RING V/P
2000.00.00				
DWG BY	DESIGN BY	CHD BY	APPROVE	CLIENT
				LOCATION
진공엔지니어링				DWG NO
				JLRP1-194