

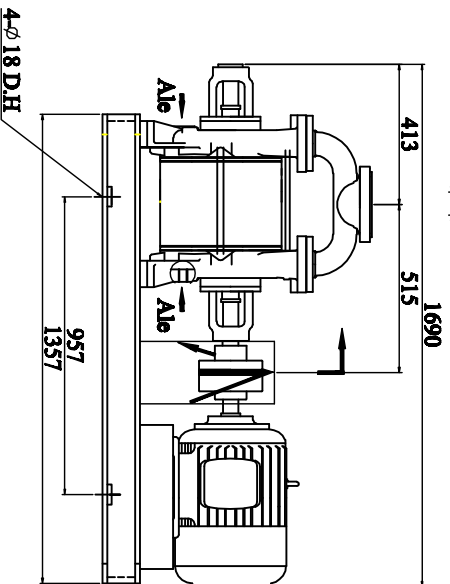
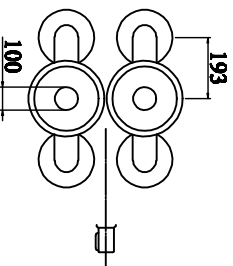
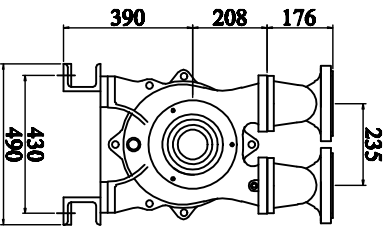
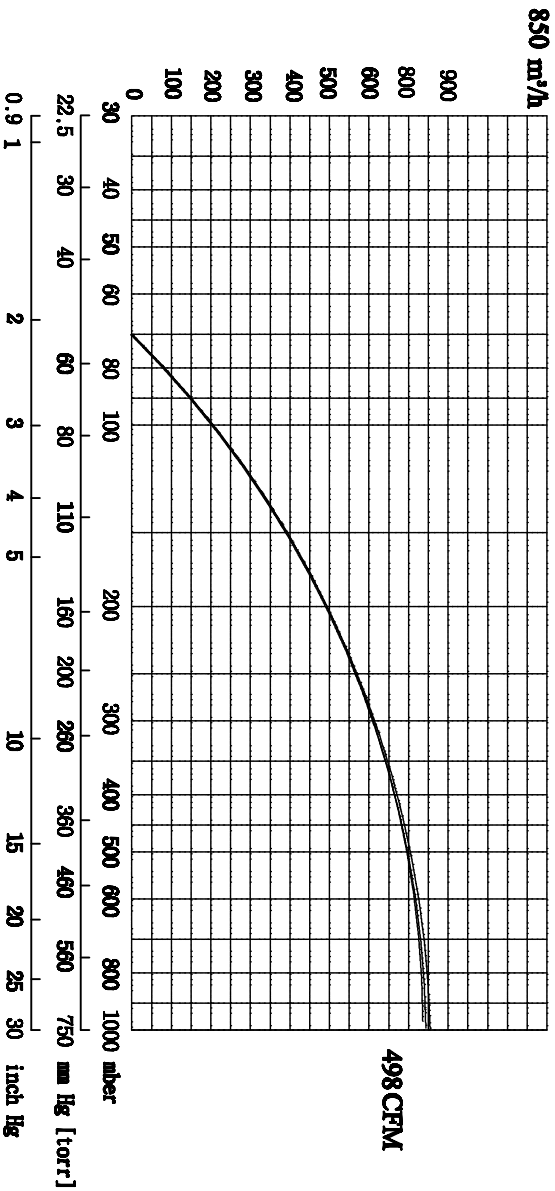
### SPECIFICATIONS

Design	12200 Lt./min(50Hz)
Displacement	14000 Lt./min(60Hz)
Speed	1400 r.p.m. (50Hz) 1750 r.p.m. (60Hz)
Normal usage vacuum pressure	Under Torr
Attainable vacuum pressure	Max 50Torr
Suction port diameter	JIS 100A (2) (Option:B.S.P.T)
Motor	Horizontal Motor Standard 3-Phase 220/380V 60Hz 30kW 4P
Water Capacity	15 C 기준 50L/MIN
Weight	Kg
Painting	Color- VL951 (Company's standard)
Allowable ambient temp.	-10~40°C

-1 Excluding motor and some other parts.

Curve referred to dry air at 20°C (68°F) 배기량 SUCTION CAPACITY

법리수 온도 15°C 기준



### ACCESSORIES(OPTION)

- Vacuum Manual Valve
- Vacuum gauge
- Vacuum Check Valve
- Separator Tank

### CONSUMABLE LIST

(VACUUM RING GENUINE PARTS)

Designation	Specification	Quantity/set
M/C Seal	φ 60	2
Bearing	6310 ZZ (Special Heat - resisting grease)	2
Half Coupling	φ 150	1
Shaft key	φ 42 10X8	1

DWG DATE	SCALE	N/S	TITLE
2000.00.00			WATER RING V/P
DWG BY	DESIGN BY	CHD BY	APPROVE
			CLIENT
			LOCATION

- 품질 개선을 위해서 예고없이 변경 될수 있음.  
- Not binding dimension that can change according to motor make

진공엔지니어링

DWG NO JLRP1-140